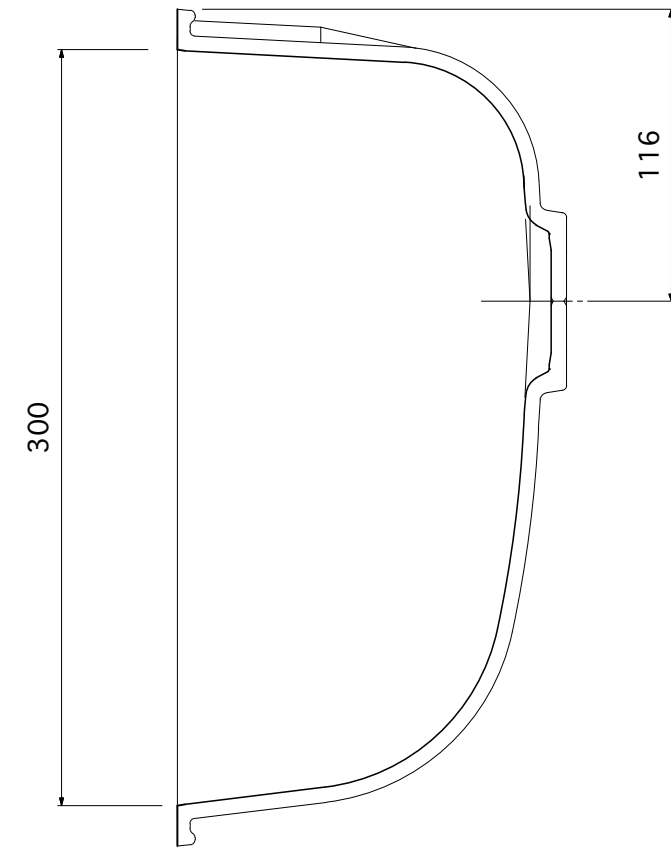


Sec A - A



Sec B - B

